
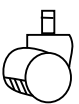


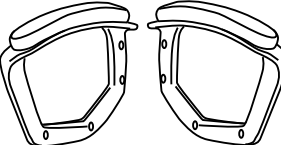

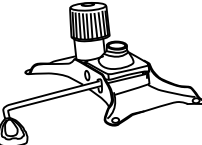



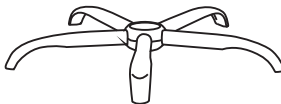
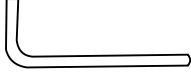


| | |
|---|--|
| <p>(1)X1</p>  | <p>(7)X5</p>  |
| <p>(2)X1</p>  | <p>(8)X4</p>  |
| <p>(3)X1(L)X1(R)</p>  | <p>(9)X8</p>  |
| <p>(4)X1</p>  | <p>(10)X8</p>  |
| <p>(5)X1</p>  | <p>(11)X1</p>  |
| <p>(6)X1</p>  | <p>(12)X1</p>  |

